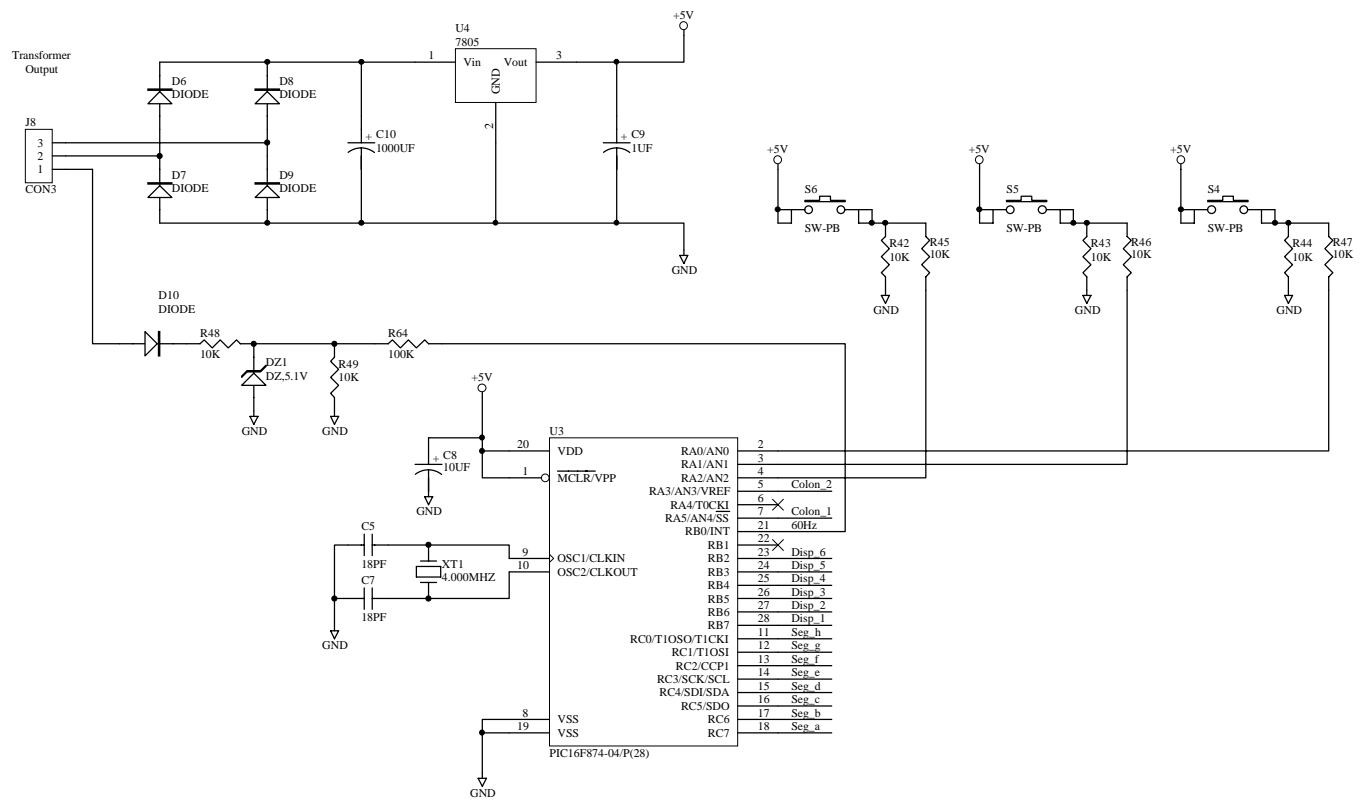
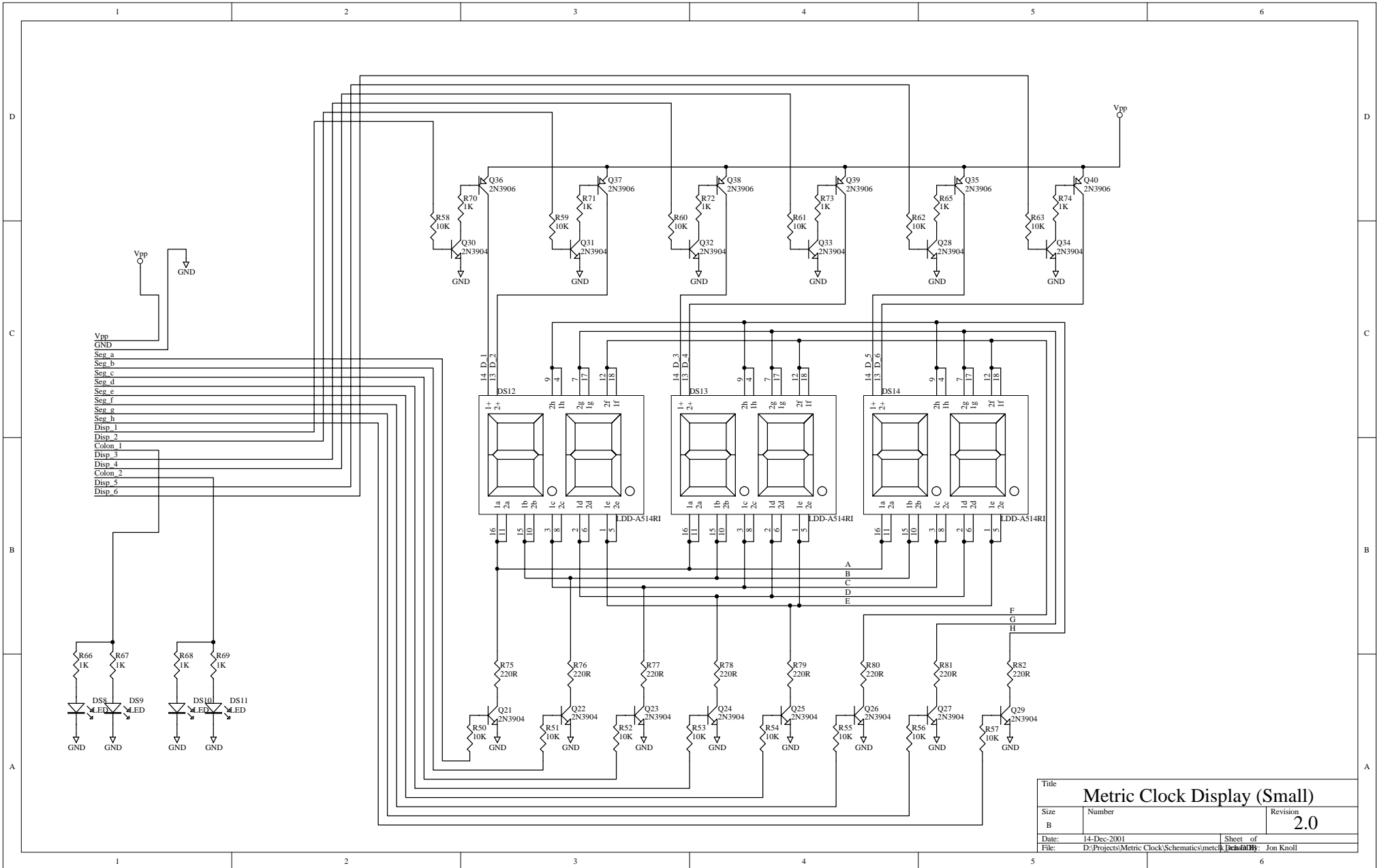


Title			Metric Clock Project Page		
Size	Number	Revision			
B		1.0			
Date:	14-Dec-2001	Sheet of			
File:	D:\Projects\Metric Clock\Schematics\metelk	Drawn By:	Jon Knoll		



Title		
Power and Micro		
Size	Number	Revision
B		1.0
Date:	14-Dec-2001	Sheet of
File:	D:\Projects\Metric Clock\Schematics\metric	1 of 1
Author: Jon Knoll		



Title		
Metric Clock Display (Small)		
Size	Number	Revision
B		2.0
Date:	14-Dec-2001	Sheet of
File:	D:\Projects\Metric Clock\Schematics\metric	Author: Jon Knoll